

AVANTI® Hydraulic Torque Wrench

The AVANTI Hydraulic Torque Wrench offers the widest range of torque output with a maximum output of more than 130,000 ft-lbs in the largest model. With tens of thousands in use around the world, the AVANTI is the industry's trusted solution for next-generation bolting.

REACTION DRIVE



The AVANTI features a patented industry-first reaction drive (also found on the ICE series) that eliminates the destructive twisting force that occurs in other torque wrenches that have a back-end reaction arm.

TORQUE & ANGLE DIAL



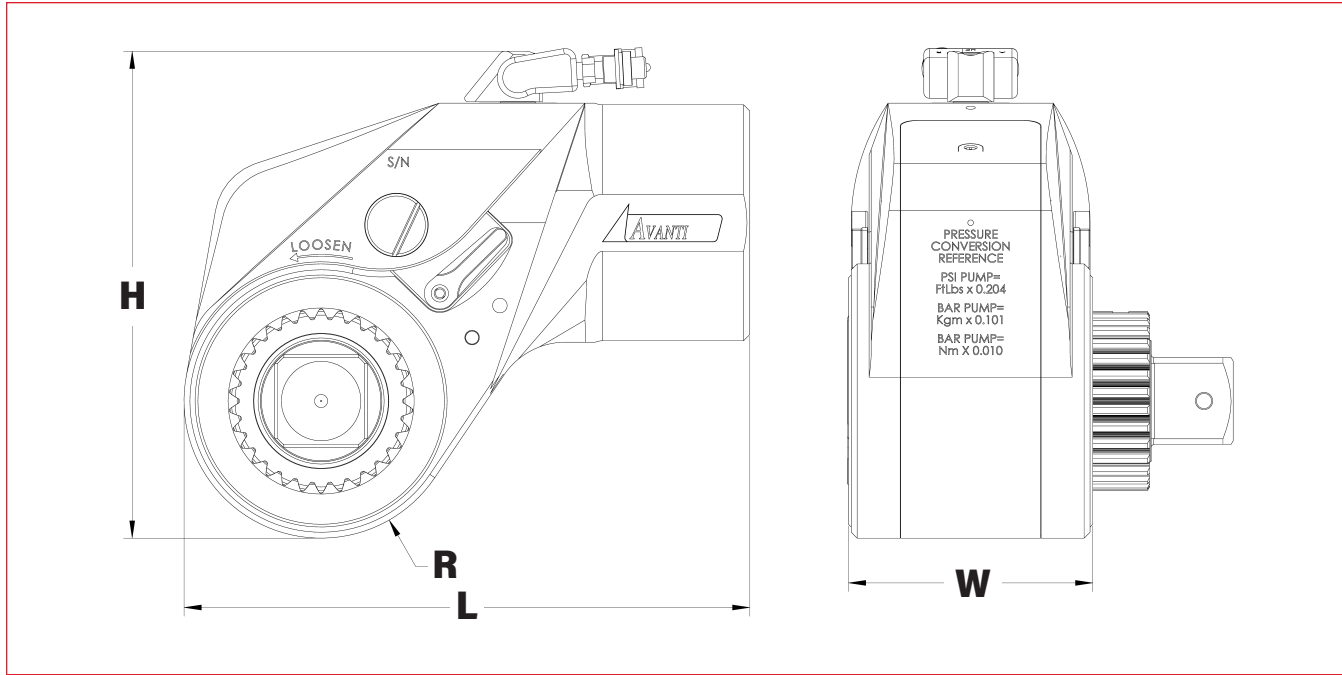
With a simple add-on, the AVANTI system is capable of providing a clear angle reading for bolting methods that incorporate turn of the nut.

MULTI-USE SYSTEM



The AVANTI works with all HYTORC bolting systems including fastening with the HYTORC Nut (1) and the revolutionary new HYTORC Washer (2) for added safety, speed, and accuracy on any job.

HYDRAULIC



LEGEND: H = HEIGHT W = WIDTH L = LENGTH R = RADIUS

MODEL NUMBER	H	W	L	R	SQUARE DRIVE	WEIGHT	TORQUE	
IMPERIAL	in.					lbs.	ft-lbs (Min)	ft-lbs (Max)
AVANTI - .7	4.19	1.79	4.14	0.99	3/4	3.10	115	767
AVANTI - 1	4.76	2.18	4.71	1.13	3/4	4.50	196	1,284
AVANTI - 3	6.20	2.90	6.15	1.52	1	9.45	460	3,084
AVANTI - 5	7.14	3.38	7.36	1.80	1-1/2	15.60	804	5,360
AVANTI - 8	7.90	3.86	8.24	1.94	1-1/2	20.75	1,150	7,760
AVANTI - 10	8.85	4.35	9.20	2.25	1-1/2	29.20	1,800	11,743
AVANTI - 20	10.22	5.07	10.94	2.60	2-1/2	47.70	2,760	17,890
AVANTI - 35	12.22	6.23	13.45	3.19	2-1/2	82.75	4,905	31,830
AVANTI - 50	13.90	7.04	15.54	3.95	2-1/2	127.70	7,202	46,126
AVANTI - 80	16.84	7.49	19.52	4.69	3-1/2	280.50	11,965	85,695
AVANTI - 130	19.40	8.50	22.73	5.31	3-1/2	585.00	19,395	138,510

METRIC	mm				in.	kg	Nm (Min)	Nm (Max)
AVANTI - .7	106	45	105	25	3/4	1.41	156	1039
AVANTI - 1	121	55	120	29	3/4	2.05	266	1740
AVANTI - 3	157	74	156	39	1	4.30	623	4179
AVANTI - 5	181	86	187	46	1-1/2	7.09	1089	7263
AVANTI - 8	201	98	209	49	1-1/2	9.43	1558	10515
AVANTI - 10	225	110	234	57	1-1/2	13.27	2439	15912
AVANTI - 20	260	129	278	66	2-1/2	21.68	3740	24241
AVANTI - 35	310	158	342	81	2-1/2	37.61	6646	43130
AVANTI - 50	353	179	395	100	2-1/2	58.05	9759	62501
AVANTI - 80	428	190	496	119	3-1/2	127.50	16213	116118
AVANTI - 130	493	216	577	135	3-1/2	265.91	26280	187683



Headquarters:
 333 Route 17 N., Mahwah, NJ 07430
 +1-201-512-9500

Email:
info@hytorc.com

Phone:
 1-800-FOR-HYTORC

Online:
hytorc.com