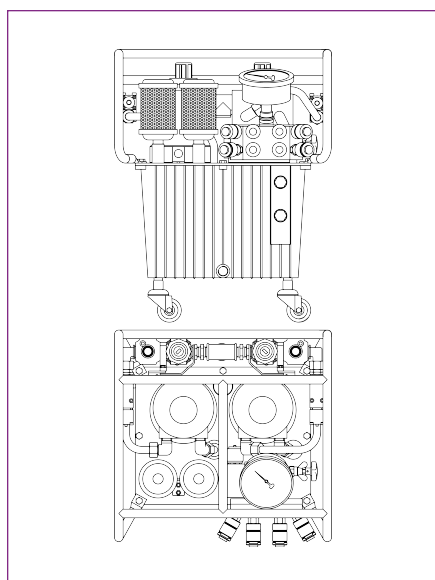


HY-TWIN AIR

The HY-TWIN AIR hydraulic pump gives the operator the power they need to utilize 10,000 ft. lb. Fitted with a five-gallon reservoir this pump will have enough oil to power up to four large tools at once. Portability is no longer an issue because our HY-TWIN pumps come with wheel casters that ensure you can roll this pump from application to application giving you the mobility you've come to expect when using HYTORC Hydraulic Power Systems.



PUMP SPECIFICATIONS AND FEATURES

Air Consumption	7,200 cu.in./sec. (118 l/sec.)
Gauge	0-10 k PSI (+/-1% Accuracy)
Reservoir Capacity (Tank optional)	5 gals. / 19 l
Stages	3
Weight	98 lbs. / 44.4 kg
Maximum Oil Flow Rate	1,500 cu. in./min. / 25 l/min.
Oil Cooler	Yes
Protective Caging	Yes
15' Remote Control	Yes
15' Twin Line Steel Braided Hydraulic Hose	Yes

HYTORC

Headquarters:
333 Route 17 N., Mahwah, NJ 07430
+1-201-512-9500

Email:
info@hytorc.com

Phone:
1-800-FOR-HYTORC

Online:
hytorc.com