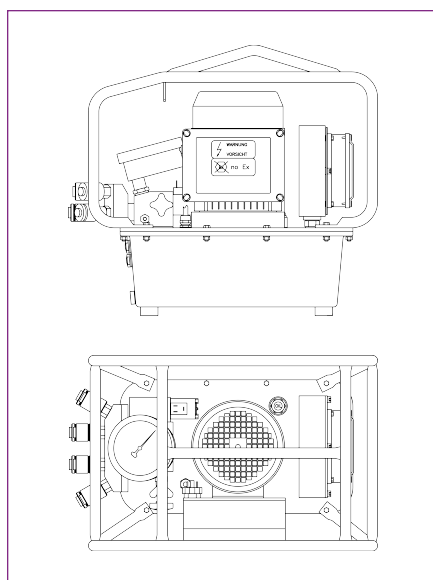


JETPRO 18.3 SA

The JETPRO 18.3 SA is our high-performing pump, designed to work efficiently with our largest hydraulic systems. Its 3-stage motor provides 30% more oil flow without increased operating temperature through the use of an innovative built-in oil cooling system. A compact design with a two-gallon reservoir alleviates weight restrictions and offers the operator efficient mobility.



PUMP SPECIFICATIONS AND FEATURES

Power	380v - 460v (6 Amp)
Gauge	0-10 k PSI (+/-1% Accuracy)
Reservoir Capacity	2 gals. / 7.5 l
Stages	3
Weight	64 lbs. / 29 kg
Maximum Oil Flow Rate	1,070 cu. in./min. / 18 l/min.
Oil Cooler	Yes
Protective Caging	Yes
15' Remote Control	Yes
15' Twin Line Steel Braided Hydraulic Hose	Yes

HYTORC

Headquarters:
333 Route 17 N., Mahwah, NJ 07430
+1-201-512-9500

Email:
info@hytorc.com

Phone:
1-800-FOR-HYTORC

Online:
hytorc.com