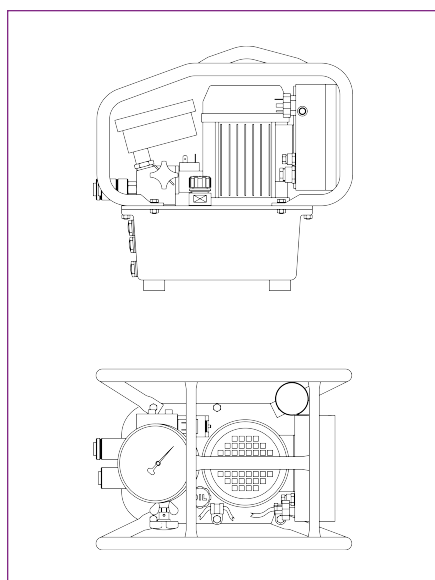




## JETPRO S

The JETPRO S 2-stage Hydraulic Power System is the most affordable lightweight pump on the market. The JETPRO's compact design and one-gallon reservoir alleviates weight restrictions like no other hydraulic pump which offers the operator efficient mobility. Simple two-button controls ensure the operator's ease of use while also speeding up the bolting process. The JETPRO operates at a very quiet ~80 dB.



### PUMP SPECIFICATIONS AND FEATURES

<b>Power</b>	115v (7.5 Amp) / 230v (4.5 Amp)
<b>Gauge</b>	0-10 k PSI (+/-1% Accuracy)
<b>Reservoir Capacity</b>	0.8 gals. / 3.0 l
<b>Stages</b>	2
<b>Weight</b>	33 lbs. / 15 kg
<b>Maximum Oil Flow Rate</b>	310 cu. in./min. / 5 l/min.
<b>Oil Cooler</b>	No
<b>Protective Caging</b>	Yes
<b>15' Remote Control</b>	Yes
<b>15' Twin Line Steel Braided Hydraulic Hose</b>	Yes

# HYTORC

**Headquarters:**  
333 Route 17 N., Mahwah, NJ 07430  
+1-201-512-9500

**Email:**  
info@hytorc.com

**Phone:**  
1-800-FOR-HYTORC

**Online:**  
hytorc.com