



STEALTH® Hydraulic Torque Wrench

The STEALTH is the industry's most advanced low-clearance tool. The slim design fits where other tools will not and the dual piston powerhead provides unparalleled speed and power. Also compatible with the HYTORC Washer and HYTORC Nut, the STEALTH can conquer bolting applications from general maintenance to critical pathways.

HANDS-FREE OPERATION



For the highest level of safety on industrial bolting jobs, HYTORC recommends hands-free operation. The STEALTH Lock-On adapter allows for hands-free usage with or without the HYTORC Washer.

DUAL-PISTON POWER



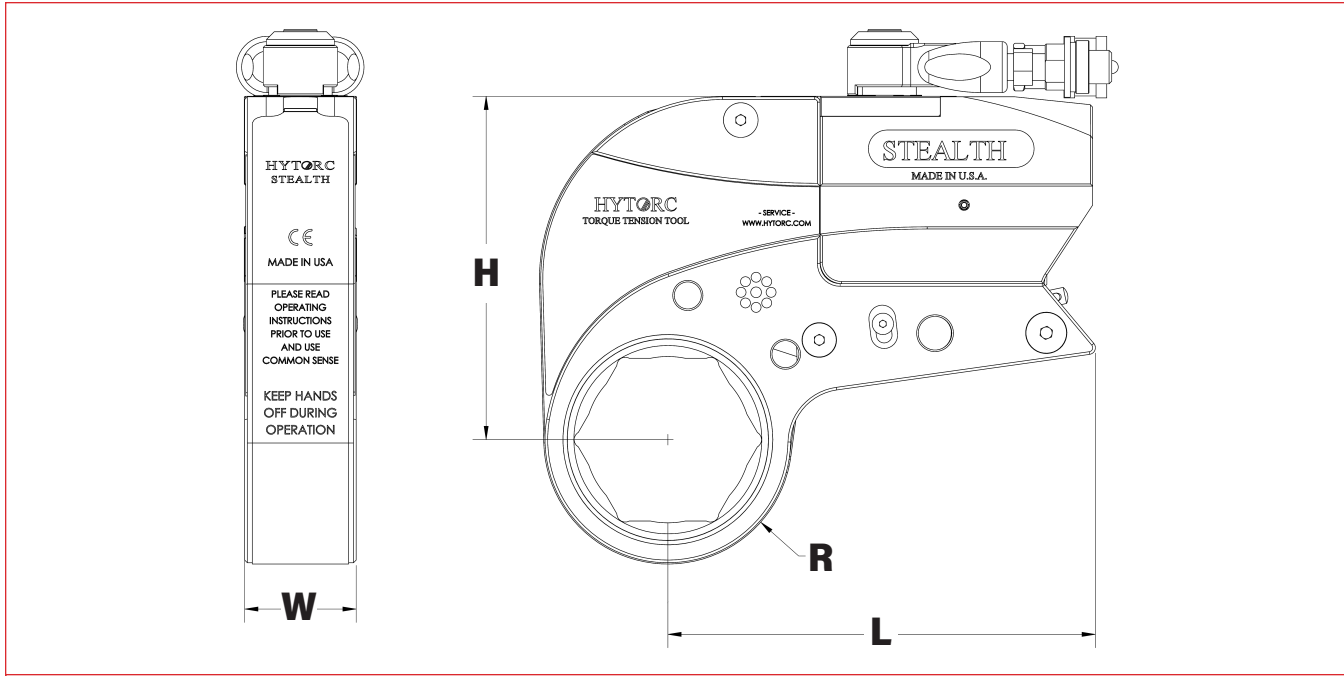
The patented design of the STEALTH's dual pistons provides more speed than any other limited clearance tool in the market.

SLIM DESIGN



The STEALTH was the first industrial bolting system in the market to feature a continuous slim body design that fits in even the tightest of confines.

HYDRAULIC



LEGEND: H = HEIGHT W = WIDTH L = LENGTH R = RADIUS

MODEL NUMBER	H	W	L	R		WEIGHT	TORQUE	
IMPERIAL	in.			in. (Min)	in. (Max)	lbs.	ft-lbs (Min)	ft-lbs (Max)
STEALTH - 2	4.21	1.25	5.53	1.03	1.76	3.99	278	1,869
STEALTH - 4	5.43	1.66	6.56	1.33	2.32	4.30	604	4,020
STEALTH - 8	6.40	2.18	8.00	1.77	2.89	6.70	1,199	7,984
STEALTH - 14	7.94	2.50	9.35	2.32	3.47	10.40	2,105	14,255
STEALTH - 22	9.18	2.91	10.80	2.62	3.87	15.40	3,250	21,875
STEALTH - 36	10.81	3.41	12.71	3.07	4.80	24.10	4,917	34,722
METRIC	mm			mm (Min)	mm (Max)	kg	Nm (Min)	Nm (Max)
STEALTH - 2	107	32	140	26	45	1.80	377	2534
STEALTH - 4	138	42	167	34	59	2.00	818	5450
STEALTH - 8	163	55	203	45	73	3.00	1625	10825
STEALTH - 14	202	64	237	59	88	4.70	2854	19327
STEALTH - 22	233	74	274	66	98	7.00	4406	29659
STEALTH - 36	275	87	323	78	122	10.90	6667	47077

The World's Most Trusted Industrial Bolting Systems

HYTORC

Headquarters:
333 Route 17 N., Mahwah, NJ 07430
+1-201-512-9500

Email:
info@hytorc.com

Phone:
1-800-FOR-HYTORC

Online:
hytorc.com