



## VECTOR MINI PUMP

The VECTOR MINI Pump is the latest addition to HYTORC's line of advanced hydraulic power packs. Based on industry-leading VECTOR pump technology, this single-port high performance pump is 25% smaller and 35% lighter, for unmatched maneuverability and portability.

### MANUAL AND FULLY AUTOMATIC



The VECTOR MINI Pump is available in both manual and fully automatic. Modular design allows the manual version to be upgraded to fully automatic as needed. The optional documentation feature allows complete job data capture for the entire bolting operation.

### TOOL PARAMETERS PRE-LOADED

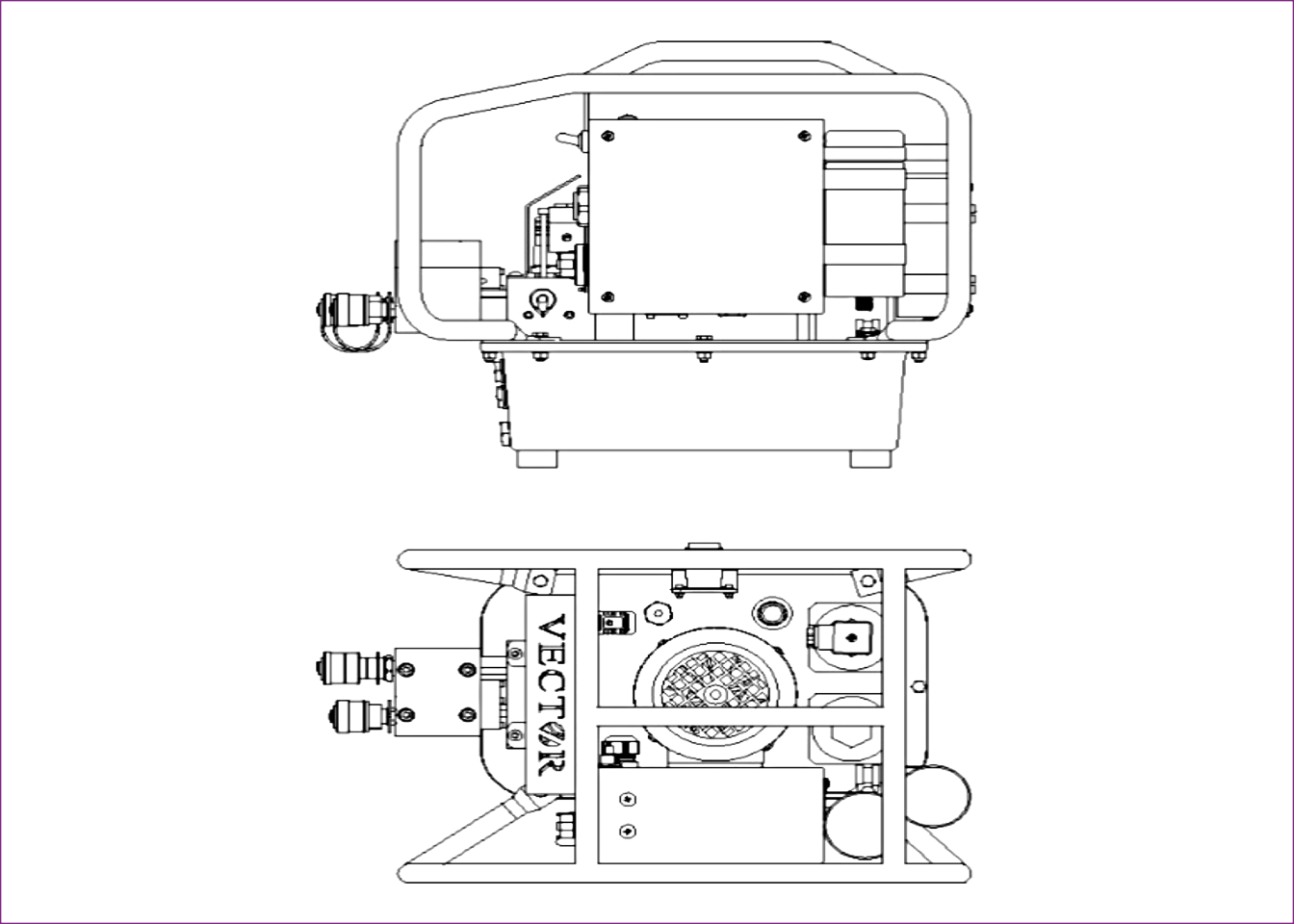


Tool parameters are pre-loaded, saving setup time and eliminating the need for separate torque charts. Simply select the tool and target torque on the pendant LCD screen. Easy-to-follow guided instructions minimize the chance of operator error.

### FAST 3-STAGE PUMP DESIGN



With its innovative 3-stage design, the VECTOR MINI Pump is the fastest compact pump on the market. Capable of producing up to 10,000 psi, it has the power to get the job done fast.



**PUMP SPECIFICATIONS AND FEATURES**

<b>Power</b>	115v and 230v	
<b>Data Recording</b>	Optional	
<b>Gauge</b>	(Not necessary but can be attached to the side of the valve block.)	
<b>Reservoir Capacity</b>	.7 gals. / 2.7 l	
<b>Stages</b>	3	
<b>Weight</b>	48 lbs. / 22 kg (Manual) 52 lbs. / 23 kg (Automatic)	
<b>15' Remote control</b>	Yes	
<b>15' Twin Line Steel Braided Hydraulic Hose</b>	Yes	
<b>Maximum Oil Flow Rate</b>	<b>50 Hz</b>	<b>60 Hz</b>
580 PSI	250 cu. in./min.	330 cu. in./min.
40 bar	4.05 l/min.	5.4 l/min.
<b>Middle Oil Flow Rate</b>	<b>50 Hz</b>	<b>60 Hz</b>
2,175 PSI	80 cu. in./min.	91 cu. in./min.
150 bar	1.3 l/min.	1.5 l/min.
<b>High Oil Flow Rate</b>	<b>50 Hz</b>	<b>60 Hz</b>
10,000 PSI	26 cu. in./min.	31 cu. in./min.
700 bar	0.4 l/min.	0.5 l/min.

**COMPLETE KIT CONTENTS**

- VECTOR MINI Pump
- 15' Twin Line Hose
- 1 gallon / 3.8 l of oil



**Headquarters:**  
333 Route 17 N., Mahwah, NJ 07430  
+1-201-512-9500

**Phone:**  
1-800-FOR-HYTORC

**Email:**  
info@hytorc.com

**Online:**  
hytorc.com