



XLCT® Hydraulic Torque Wrench

The XLCT is the world's best-selling limited clearance industrial bolting system with over one hundred thousand in use around the world. Since 1992, the signature red housing has represented quality, durability and reliability on job sites in every major industry. From the tallest roller coasters to the world's largest bridges, the XLCT has the power to get the job done.

LOCK-UP RELEASE



Like the MXT, the XLCT features a release lever that allows you to release the tool after torquing for easy removal. (Also found on the STEALTH).

ZERO-SLIP RATCHET



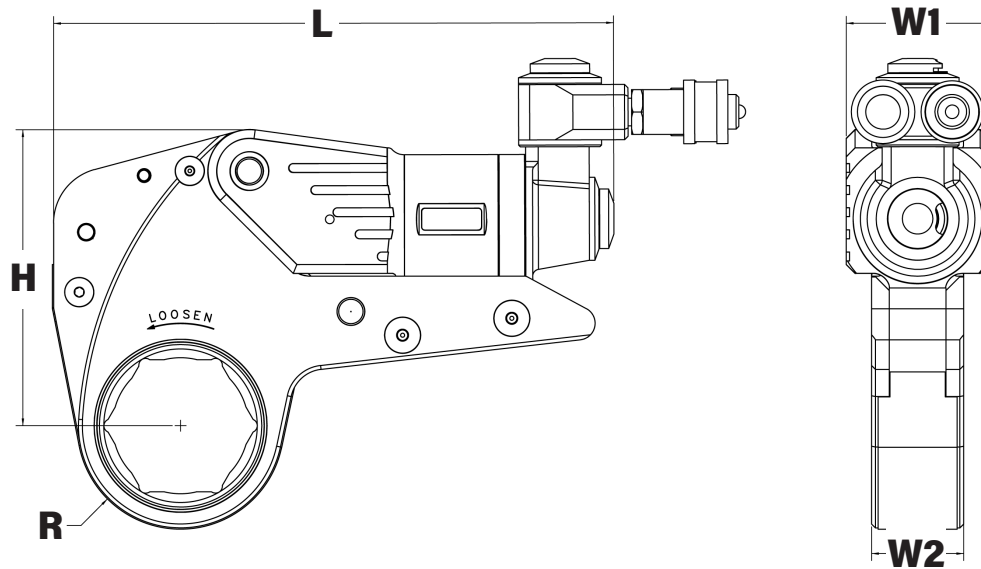
The XLCT series features a Zero-Slip ratchet for more powerful breakout and faster tightening. The secondary pawl inside the tool prevents the ratchet from turning opposite of the direction it is being driven.

MULTI-USE ACCESSORIES



The XLCT is available with interchangeable cartridges for 6-point hex, 12-point hex, allen drives, square drives, open spanners, and many other configurations to simplify the most challenging bolting jobs.

HYDRAULIC



LEGEND: H = HEIGHT W1 = WIDTH OF POWERHEAD W2 = WIDTH OF LINK L = LENGTH R = RADIUS

| MODEL NUMBER | H | W1 | W2 | L | R | | WEIGHT | TORQUE | |
|--------------|-------|------|------|-------|-----------|-----------|--------|--------------|--------------|
| IMPERIAL | in. | | | | in. (Min) | in. (Max) | lbs. | ft-lbs (Min) | ft-lbs (Max) |
| XLCT - 2 | 4.02 | 1.94 | 1.25 | 7.33 | 1.03 | 1.76 | 2.05 | 243 | 1,687 |
| XLCT - 4 | 5.36 | 2.58 | 1.67 | 10.19 | 1.33 | 2.32 | 4.25 | 580 | 3,855 |
| XLCT - 8 | 6.70 | 3.23 | 2.09 | 12.29 | 1.77 | 2.89 | 7.15 | 1,143 | 8,151 |
| XLCT - 14 | 8.04 | 3.88 | 2.50 | 14.61 | 2.32 | 3.47 | 11.30 | 2,010 | 13,400 |
| XLCT - 18 | 9.08 | 4.38 | 2.83 | 14.34 | 2.62 | 3.87 | 14.85 | 2,790 | 19,100 |
| XLCT - 30 | 10.71 | 5.17 | 3.35 | 16.82 | 3.07 | 4.80 | 23.80 | 4,579 | 30,986 |
| XLCT - 45 | 13.39 | 6.00 | 3.94 | 21.10 | 4.05 | 4.88 | 43.00 | 7,130 | 49,180 |
| XLCT - 60 | 13.39 | 6.46 | 4.16 | 20.70 | 4.81 | 5.03 | 48.00 | 8,867 | 59,110 |

| METRIC | mm | | | | mm (Min) | mm (Max) | kg | Nm (Min) | Nm (Max) |
|-----------|-----|-----|-----|-----|----------|----------|-------|----------|----------|
| XLCT - 2 | 102 | 49 | 32 | 186 | 26 | 44.70 | 0.93 | 329 | 2286 |
| XLCT - 4 | 136 | 66 | 42 | 259 | 34 | 58.93 | 1.93 | 786 | 5224 |
| XLCT - 8 | 170 | 82 | 53 | 312 | 45 | 73.41 | 3.25 | 1549 | 11045 |
| XLCT - 14 | 204 | 99 | 64 | 371 | 59 | 88.14 | 5.14 | 2724 | 18157 |
| XLCT - 18 | 231 | 111 | 72 | 364 | 67 | 98.30 | 6.75 | 3780 | 25881 |
| XLCT - 30 | 272 | 131 | 85 | 427 | 78 | 121.92 | 10.82 | 6205 | 41986 |
| XLCT - 45 | 340 | 152 | 100 | 536 | 103 | 124.00 | 19.50 | 9667 | 66679 |
| XLCT - 60 | 340 | 164 | 106 | 526 | 122 | 128.00 | 21.80 | 12022 | 80143 |

The World's Most Trusted Industrial Bolting Systems

HYTORC

Headquarters:
333 Route 17 N., Mahwah, NJ 07430
+1-201-512-9500

Email:
info@hytorc.com

Phone:
1-800-FOR-HYTORC

Online:
hytorc.com